


Scuttlebutt

WWW.SOONERMODELA.ORG

"Like" us on 



Volume 48, Issue 6
June 2015

Greetings From Will

Well if it's June then we know it's summertime in Oklahoma.

Just wanted to take this opportunity to once again thank all those that helped put together a great Spring Tour. Perfect weather and 30 Model A's made for a really nice event.

June brings us the regional tour in St. Joseph, Mo. and the National tour in Maine. At last count, 3 couples will be attending the event in Missouri and 7 couples will be making the trip to Maine. The group going to Maine will be shipping their cars there but will be driving back. We will be posting pictures from both events on Facebook and the Website.

We have a Last Saturday outing planned to the Catfish Cove in Moore. Always good food and good company. The annual July 4th Bethany Parade and picnic with the Heartland T's is fast approaching as well.

Looking forward to seeing you on the road this summer.

Will Langford

MEMBERS HEADING TO MAINE & MISSOURI NEXT WEEK (you can add the names)



June Meeting

Tuesday,
June 16

7:00 pm
Will Rogers Garden
Center

3400 N.W. 36th St.
Oklahoma City

2015 Officers & Committees

President.....Will Langford
405-812-8131
VP.....Phil Wolfenbarger
405-210-5198
Secretary.....Kaye Sage
405-684-1564
Treasurer.....Carla Talley
405-209-8724
Editor.VaughnCille Weidner
405-354-1603
Directors.....
Kent Depe405-513-3243
Rocky Simmons
405-334-7687

Committees:
Refreshments...Jon Russell
Membership.....DeWayne
Owens
Activities.....Kent Depe
Sunshine.....Katie Owens
Demonstrations.....Bob
Bordwine
Name Tags.....Katie Owens
Merchandise.....Don
& Marilyn Mitchell

2015 ACTIVITIES AT A GLANCE

(Subject to Change)

*Maps available on soonermodela.org website. See "Calendar"

2015 Theme - "2015—Let's Play Together"

June

- 2 6:30 PM **Board Meeting** - 6718 NW 50th, Bethany, OK
 7-12 6 days Nat'l MAFCA Tour, Maine
 8-12 5 days Central Midwest Regional Meet, St Joseph, MO
 16 7:00 PM **Club Meeting** - 3400 NW 36th, OKC, OK
 27 12:00 PM **Lunch – Catfish Cove**, 925 Southwest 25th Street,
 Moore,OK

July

- 4 8:00 AM Breakfast – Braum's, 6821 NW 23rd, Bethany, OK. West of
 MacArthur
 4 9:00 AM **Centennial Freedom Festival Parade – LINE-UP!**
 41st & Mueller, **Bethany, OK, NW**
 Accessible only from NW 39th & Willow or NW 42 & Rockwell
 4 10:00 AM **Centennial Freedom Festival - PARADE STARTS!** Bethany,
Host: Carla Talley
 4 11:30 AM **Lunch with the Heartland Model T Club** – at the home of
 David & Teresa Powell, 7801 NW 38th Street, Bethany, OK 405/789-5455, West
 side of Bethany Eldon Lyon Park near parade route end. BBQ and drinks will
 be provided by Sooner & Heartland T clubs.
 **Please bring your favorite side dish or desert. **Bring Lawn Chairs.
 **Inside dining available for those who need to cool off.
 7 6:30 PM **Board Meeting** - 6718 NW 50th, Bethany, OK
 21 7:00 PM **Club Meeting** - 3400 NW 36th, OKC, OK –
ICE CREAM SOCIAL

August

- 4 6:30 PM **Board Meeting**—6718 NW 50th, Bethany, OK
 18 7:00 PM **Club Meeting**—3400 NW 36th, OKC, OK—**WATERMELON
 SOCIAL**

2015 Regional & National Model A Meets

- June 8-12, 2015... Central-Midwest Meet.....St. Joseph, MO
- June 7-12, 2015....MAFCA National Tour-Lobsters & Lighthouses.....Maine
- June 11-14, 2015....52nd Annual Model A Texas Tour.....Beaumont, TX
- June 19-24, 2016....MAFCA National Convention.....Loveland, CO

JUNE



- 04 DeWayne Owens
- 07 Kaye Sage
- 16 Patricia Turner
- 18 Ed Paulsen
- 22 Ann Cramer
- 23 Jon Adams
- 30 Steve Shaw
- 30 Jack Ogle

JUNE



- 02 J.W. & Doris Woodard
- 04 Bob & Joan Bordwine
- 06 Greg & Sheryl Hoyle
- 08 Terry & Rhonda Cavern
- 08 Maxie & Linda Crouch
- 16 Mike & Cheryl Maxwell
- 19 Rusty & Gerry Swain

JUNE REFRESHMENTS

**Jack & Verjeen Ogle
Gary & Joann Clonts
Debi McClendon
Contributions from Mike Maxwell**

**June
Recipe
Of The
Month**



MOTHER'S SECRET APPLE PIE

FILLING:

- 1 (9") pie shell, baked
- 1-1/2 c. sugar
- 2 tsp cream of tartar
- 2 c. water
- 20 Ritz crackers

CRUMB CRUST:

- 3/4 c. brown sugar
- 1/2 stick soft butter
- 2 T. flour

(No I didn't forget the apples there are none in the pie)

Blend brown sugar, butter and flour with a fork; set aside.

Boil water, sugar and cream of tartar for 2 minutes. Drop in whole crackers and boil for 2 minutes without stirring. Pour into baked pie shell and cover with crumb crust.

—Carol Jones, Phoenix Model A Club

GETTING STARTED IN MODEL A ERA FASHIONS

By Sharon Johnson

Thinking about getting vintage fashions? Where to start?? I would recommend that anyone interested in becoming active in fashions from the Model A era attend various club meets. Regional and National meets usually have seminars on fashions. They sometimes have hand-outs and information displays so you can get hand-on approach to whatever subject they are talking about. The fashion luncheon is always fun because you get to see categories of Model A era fashions.

Some of the publications for sale at the MAFCA website are "A Book of Fashion Facts" and MAFCA Fashion Guidelines". If you are handy at sewing, the "Fashion Pattern Catalog" is a 'must have'.

There are also tests you can take to become a judge. They are listed on the MAFCA site. Judging is a lot of fun and you get an up-close look at all the entrants and an education on what is right and what is wrong.

Don't think you have the money for original era fashions. You are in luck...there is a category that is called Model A Era Image Fashions. You will be amazed at the dresses, hats and shoes that are out there that have the Model A Era "look".

The items on Page 5 would be suitable for attending club events and driving your Model A on tours but not suitable for judging.

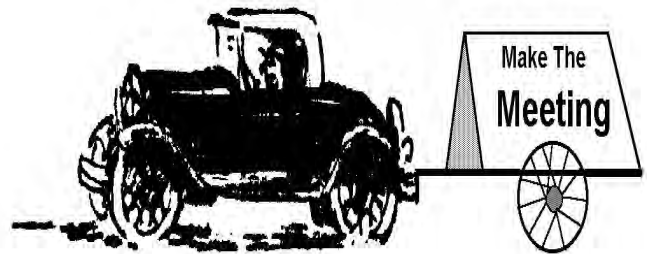
(continued on Page 5)

SUNSHINE COMMITTEE



We haven't had any additional reports of illnesses but continue to keep J.W. "Woody" Woodard in your prayers as he has had a setback in his recovery.

Please let Katie Owens know of any health concerns.



BRATTON'S ANTIQUE AUTO PARTS



800-255-1929 Phone
www.brattons.com
800-774-1930 Fax
1606 Back Acre Circle
Mount Airy, MD 21771

Your source for Quality Model A Ford Parts since 1976

GETTING STARTED IN MODEL A ERA FASHIONS

Here are a couple of fun fashions that have a Model A look and jewelry from Roamans...website: www.roamans.com



The following shoes are from Aerosoles...website: www.aerosoles.com



The following hats are from Village Hat Shop...website: www.villagehatshop.com



Good luck and I hope this will entice you to start enjoying the Model A "look".

The World's Largest Selection of 1909-31 Ford Parts

Snyder's

ANTIQUE AUTO PARTS

12925 Woodworth Rd. • New Springfield, OH 44443

Toll Free Ordering **(888) 262-5712**
or FAX **(888) 262-5713**

Order On-Line @ www.snydersantiqueauto.com

 **FREE Fully Illustrated CATALOG**
\$10.00 outside the U.S., Canada, & Mexico

Hoyle's

New & Used Parts



Sheryl & Greg Hoyle

622 SE 1st Street
Minco, OK 73059
greghoyle@sbcglobal.net

Cell 405-830-7752
Hm 405-352-4184

MOORE-NORMAN OVERHEAD DOOR

Garage Doors/Openers • Attic Stairs
Sales • Installation • Service
Serving All of Central Oklahoma

(405) 799-9214

315 S.E. 4th St.
Moore, OK 73160

1909-48 Ford Parts & Accessories

800.242.6491
www.gaslightauto.com



Urbana, Ohio 43078

Gaslight Auto Parts

STATE FARM
INSURANCE COMPANIES
HOME OFFICES: BLOOMINGTON, ILLINOIS



CAVNAR INSURANCE AGENCY, INC.

Terry Cavnar, Agent
317 SE 4th Street
Moore, OK 73160

off.: 405.793.1572 • fax: 405.793.1598

618-231-3507
618-732-6275

www.bergsradiator.com



BERG's RADIATOR

Manufacturing radiators for the model T & A Fords
Repair and restoration on most radiators, new and old

GERY BERGBOWER - 332 S. Paul Ave Bluford, IL 62814

Mike's "A" Ford-able Parts



Mike Butcher

124 Model A Drive, Maysville, GA 30558
email: mike@mikes-afordable.com - www.mikes-afordable.com
Fax: 706 652 2492 - Phone: 706 652 3866
1 888 TRY MIKE (879 6453)



Specialising in 1928 - 1931 Model A Ford Parts

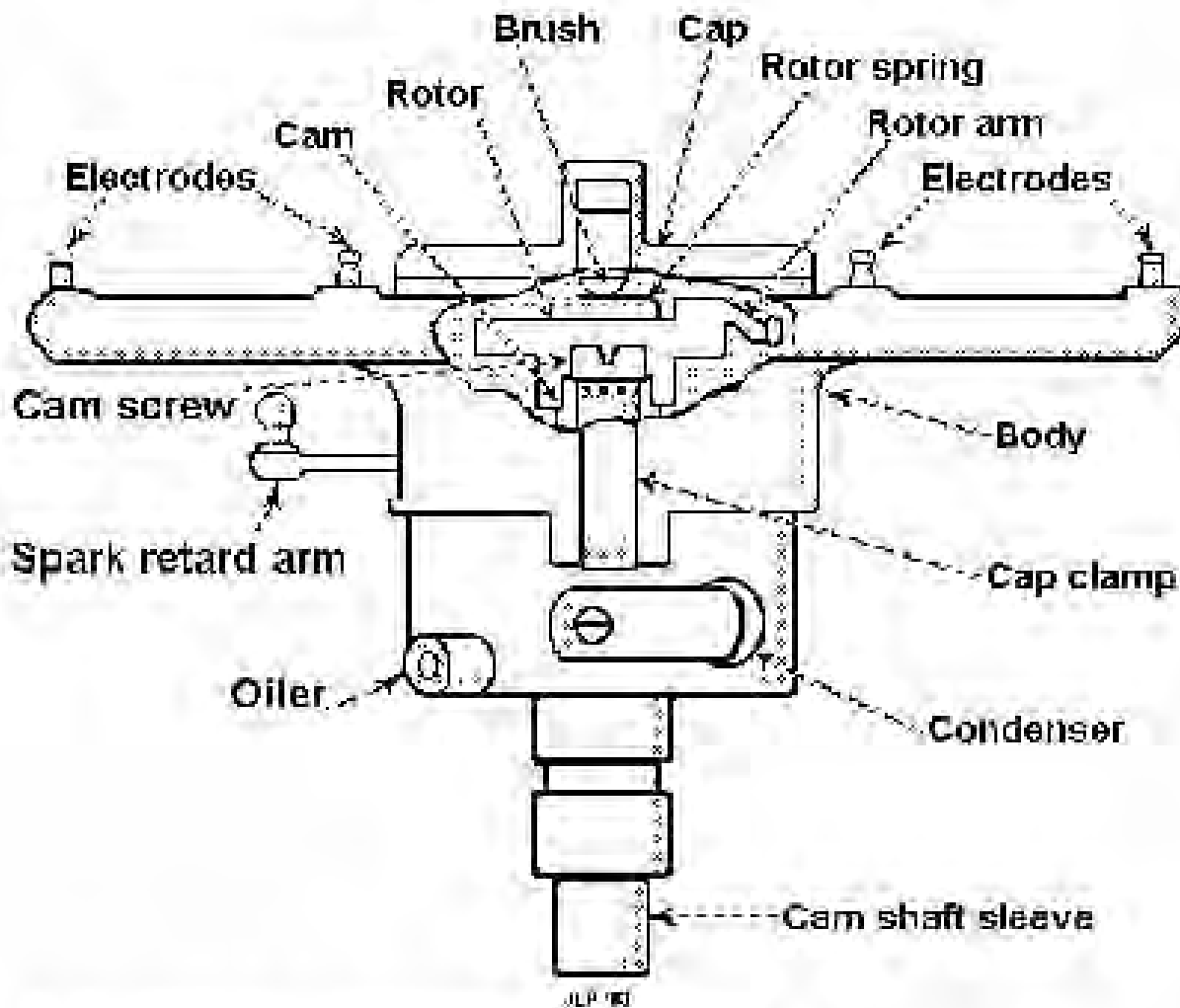


Ford
**MODEL A & T & V8
CARS & PARTS**

*I Buy - Sell - Trade
Ford "Script" Tools*

14908 Gaillardia Dr.
Oklahoma City, OK 73142
Email gginvest@aol.com

GARY CLONTS
Cell 405/620-2655



Side View of a Ford Model A Ignition Distributor

**SOONER MODEL A CLUB
P.O. BOX 83148
OKLAHOMA CITY, OK 73148**

The **SOONER MODEL A CLUB** is a non-profit organization affiliated with the Model A Ford Club of America. All correspondence for the club should be sent to the address above.

General Meetings are held on the third Tuesday of the months of January thru November. Meetings commence at 7:00 p.m. and are held at Will Rogers Garden Center at 3400 N.W. 36th in Okla. City.

All members are welcome to attend the club's Board Meetings, which are held on the first Tuesday of each month at a location designated by the President and advertised in the Scuttlebutt. Membership dues are \$20.00 per year.

The primary requirement for membership shall be an interest in the objectives of the organization and a desire to participate in its activities. Actual possession of a Model A Ford is not a necessity. A member must be of good character as to be of benefit to the club, its functions and activities. An active member must be a member of the Model A Ford Club of America.



P. O. Box 83192
Oklahoma City, OK
73148

*Getting There IS
Half The Fun!!*



We're on the Web!
www.soonermodela.org



APPLICATION FOR MEMBERSHIP

SOONER MODEL A CLUB

NEW _____

P.O. BOX 83192, OKLAHOMA CITY, OK 73148

RENEWAL _____

NAME _____ BIRTHDAY _____

SPOUSE _____ BIRTHDAY _____

ADDRESS _____ CITY _____ ZIP _____

TELEPHONE _____ CELL PHONE _____

ANNIVERSARY _____ EMAIL _____

DO YOU TEXT? YES NO MAFCA MEMBERSHIP NUMBER _____

MODEL A YEAR _____ BODY STYLE _____ RUNNING? _____

MODEL A YEAR _____ BODY STYLE _____ RUNNING? _____

DUES - \$20.00 PER YEAR/PER FAMILY